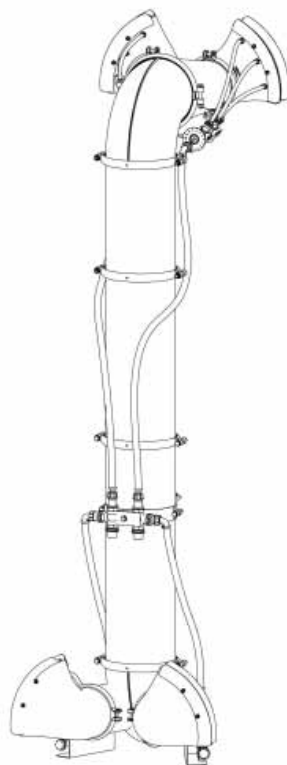




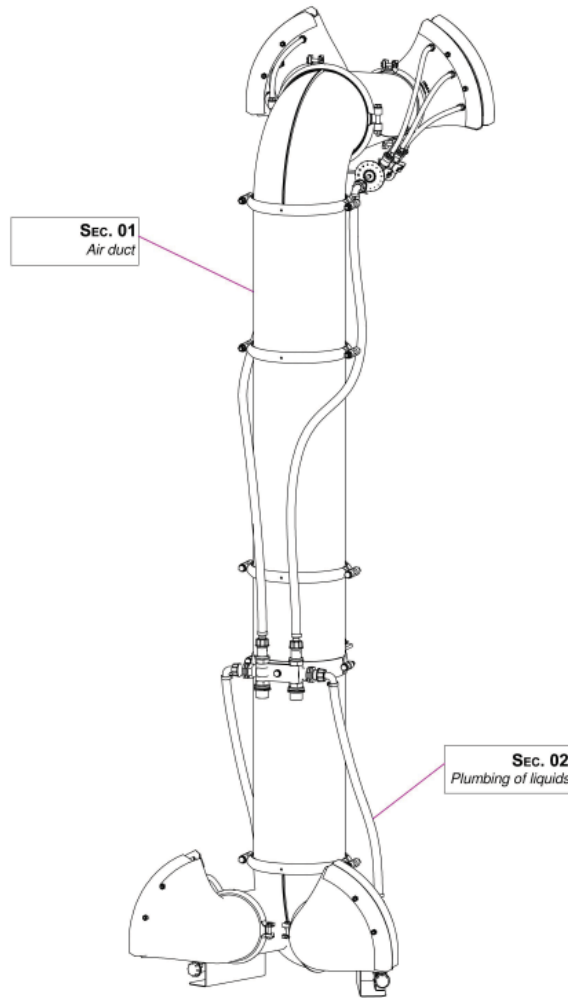
VENTURI AIR SPRAYERS ORCHARD HEAD 4 VENT



**Parts Manual For
T4V55T12 Orchard Head
For T55 Sprayers**

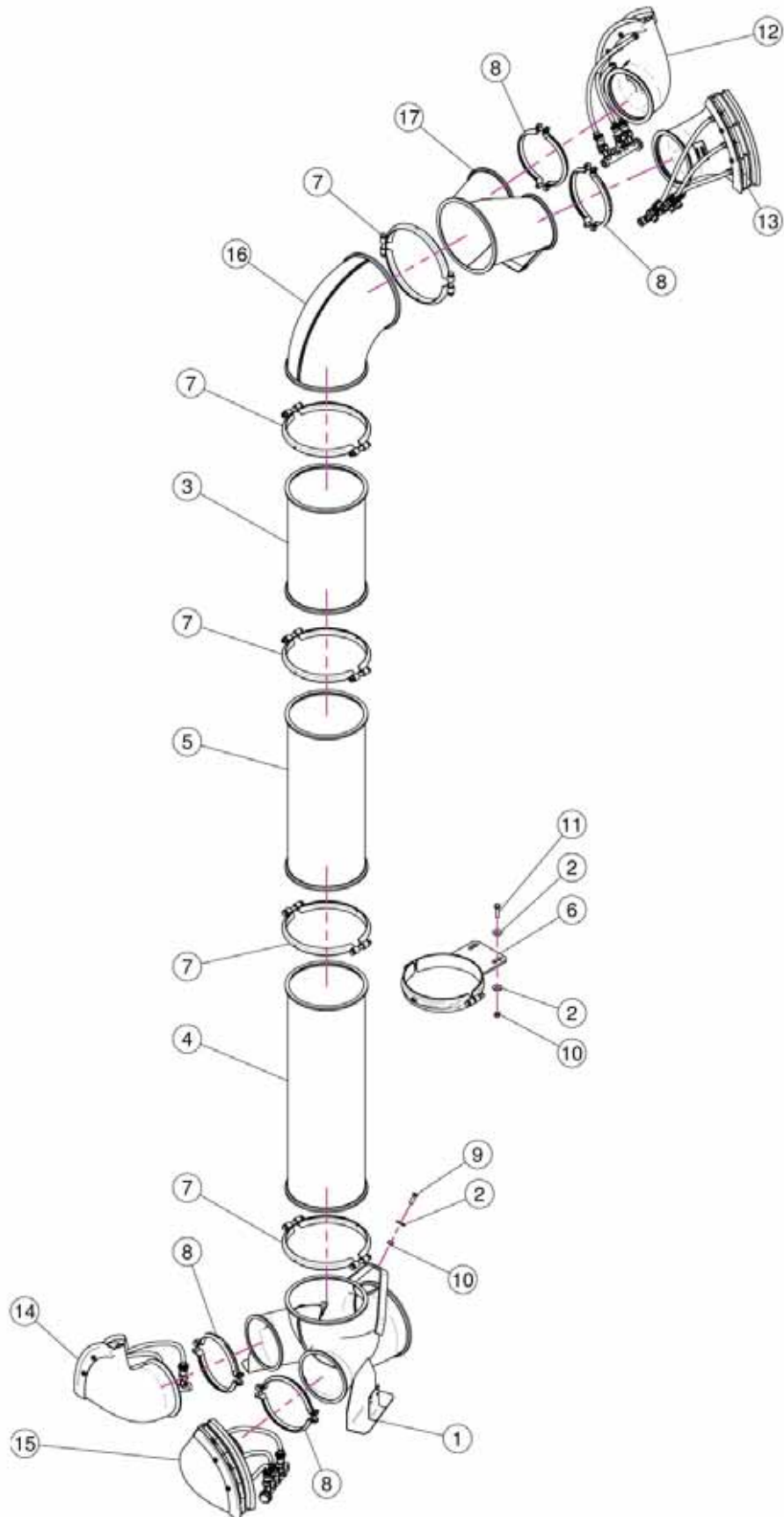
July 2013

TABLE OF CONTENTS



<u>SECTION</u>	<u>DESCRIPTION</u>	<u>PAGE</u>
1	Air Duct	1-2
2	Fishtail Parts	3-4
3	Liquid Plumbing.....	5-6
4	Manifold & Shut-Off Valves.....	7
5	Dial-A-Rate	8

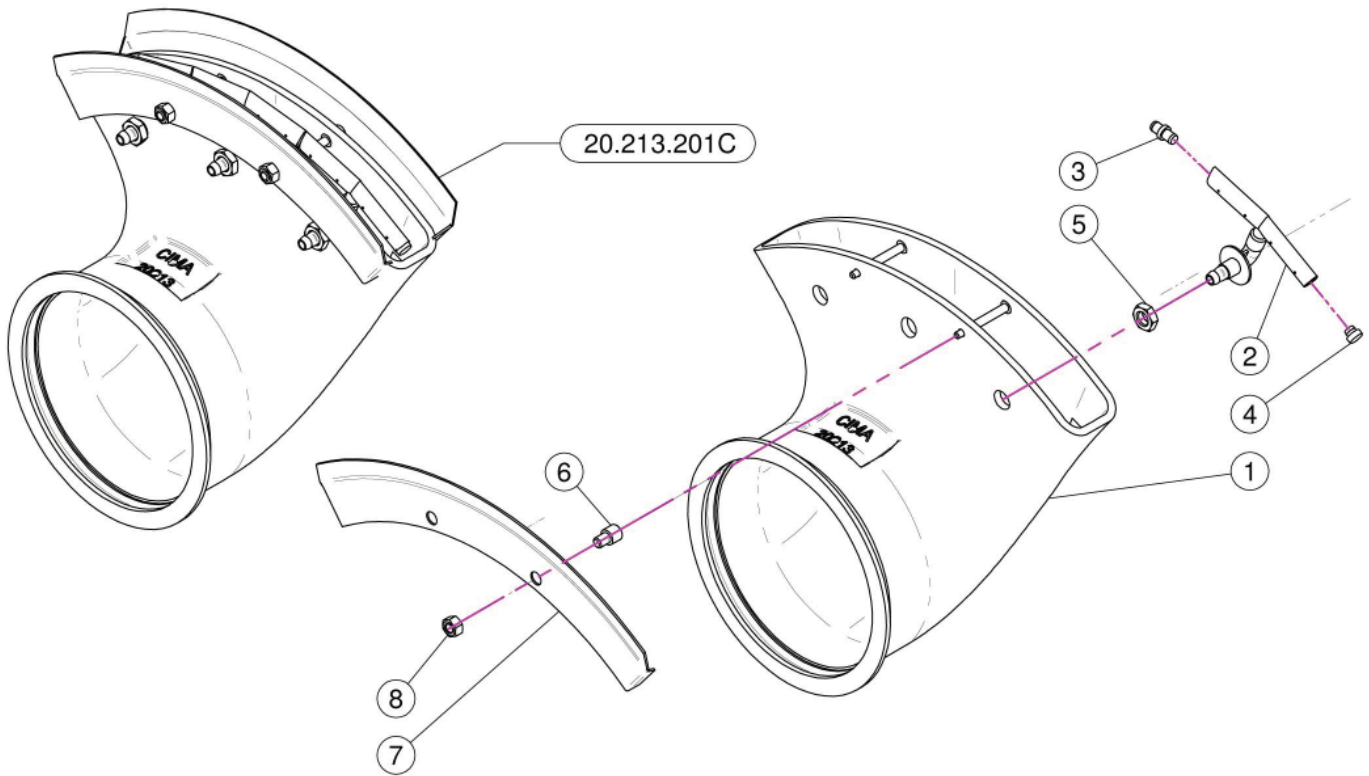
Sec. 01 - AIR DUCT



Sec. 01 - AIR DUCT

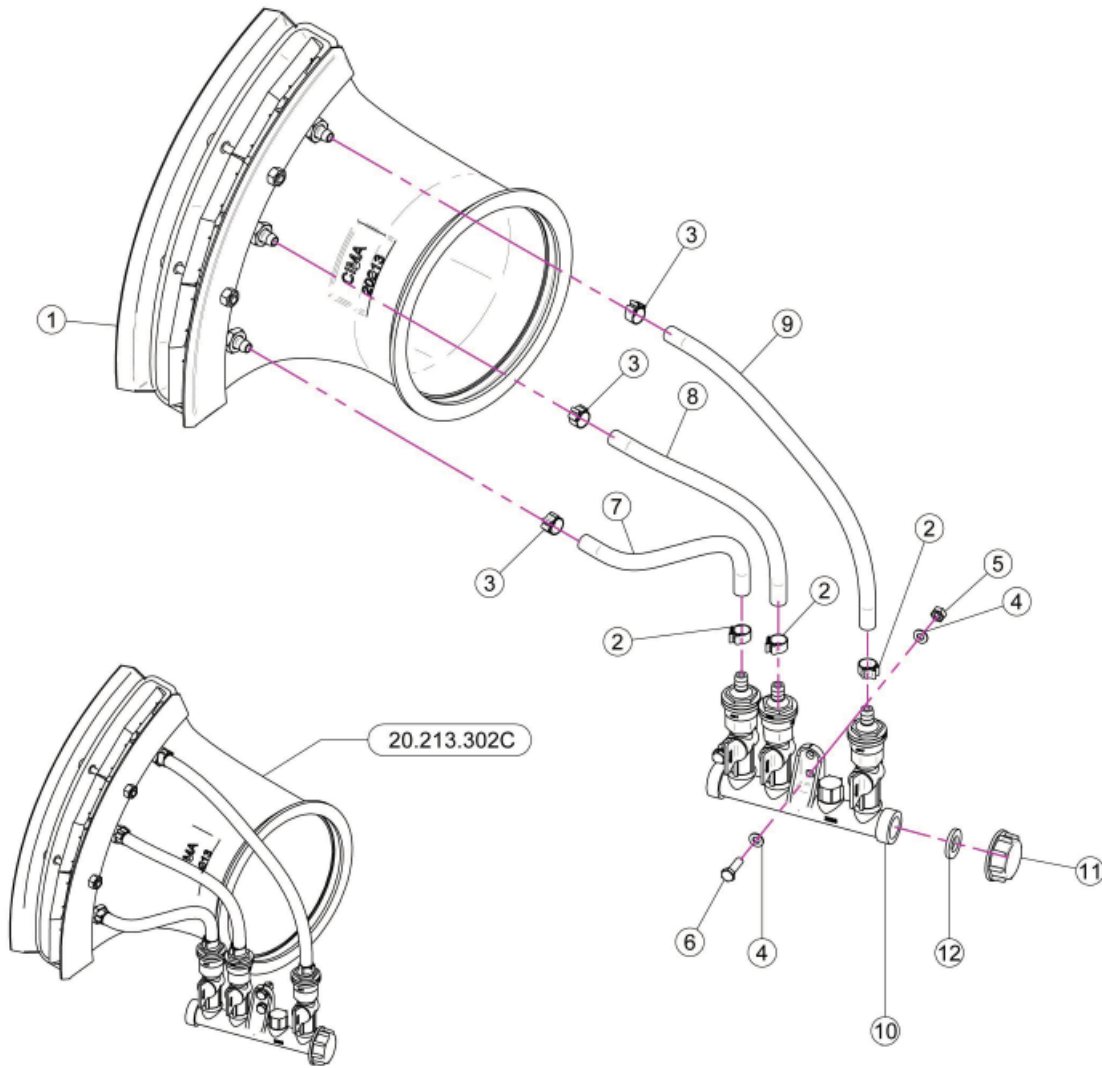
<u>REF.</u>	<u>QTY.</u>	<u>PART NO.</u>	<u>DESCRIPTION</u>
1	1	05.957.000	Body D.250 With 2 Outlets D.120
2	6	RP.010.030	Washer D.10 x 30 mm
3	1	21.100.040	Extension D.250 x 400
4	1	21.100.080	Extension D.250 x 800
5	1	21.100.060	Extension D.250 x 600
6	1	20.504.000	D.250 Clamp Heads Fixing
7	5	05.813.000	Clamp D.275
8	4	05.616.000	Pipe Clamp D.175
9	1	TE.010.030T	Screw TE M10 x 30
10	3	D0.10.5587G	Nut M10
11	2	TE.010.040T	Screw TE M10 x 40
12	1	20.213.302C	D.175 Complete Fishtail
13	1	20.213.302C	D.175 Complete Fishtail
14	1	20.213.302C	D.175 Complete Fishtail
15	1	20.213.302C	D.175 Complete Fishtail
16	1	05.952.000	Elbow D.250 90°
17	1	05.976.200	Body D.250 With 2 Outlets D.175

Sec. 02 - FISHTAIL HEADS



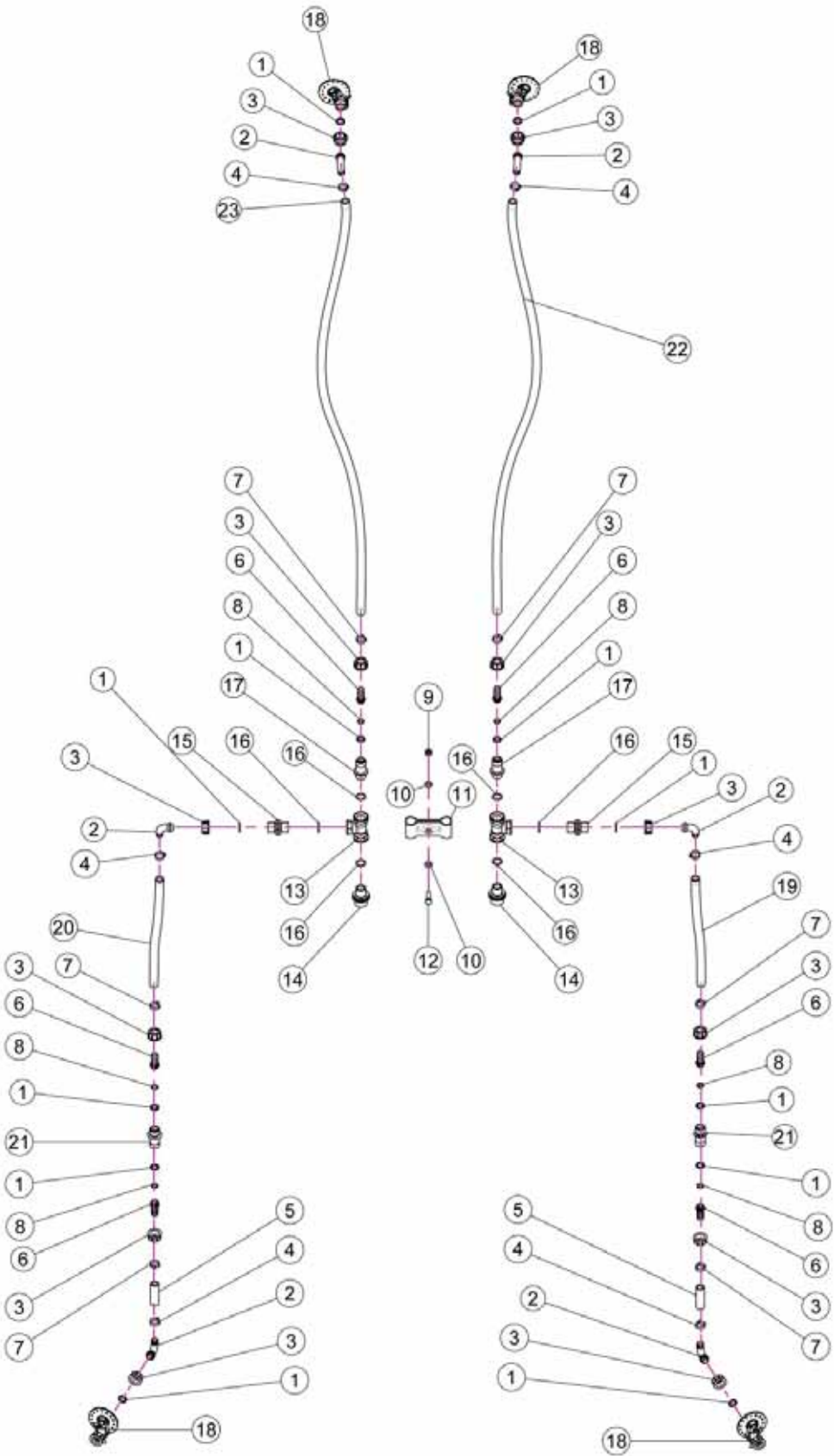
REF.	QTY.	PART NO.	DESCRIPTION
1	1	20.213.200	3 Complete Sector D.175 Fishtail
2	3	20.478.000	Pipe For Fishtails
3	2	20.082.000	Special Nipples For Cipper Pipe
4	2	20.083.000	Short Tap For Pipe
5	3	DOT.12.5589	Lower Brass Nut M12
6	4	20.572.000	Male - Female Reduction
7	2	20.635.000	Protection For Fishtail
8	4	DOT.08.5587	M8 Brass Nut

Sec. 02 - FISHTAIL HEADS



REF.	QTY.	PART NO.	DESCRIPTION
1	1	20.213.201C	D.175 Fishtail Complete
2	3	FC.013.5.015	Hose Clamp
3	3	FC.012.5.014	Hose Clamp
4	4	RP.006.000	Washer D.6
5	2	D0.06.5588G	Nut M6
6	2	TE.006.020T	Screw TE M6 x 20
7	1	02.217.000	Hose 8 x 13 L=320 (Per Foot)
8	1	02.217.000	Hose 8 x 13 L=320 (Per Foot)
9	1	02.217.000	Hose 8 x 13 L=420 (Per Foot)
10	1	02.008.303C	3 Taps Liquid Manifold
11	1	02.182.000	Female 3/4" Cap
12	1	02.030.010	Gasket

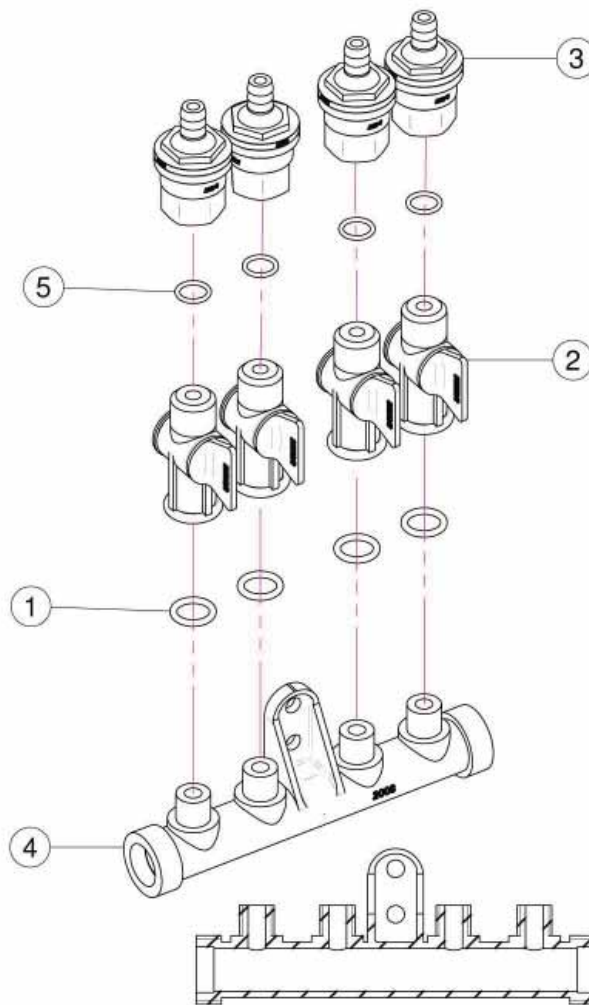
Sec. 03 - PLUMBING OF LIQUIDS



Sec. 03 - PLUMBING OF LIQUIDS

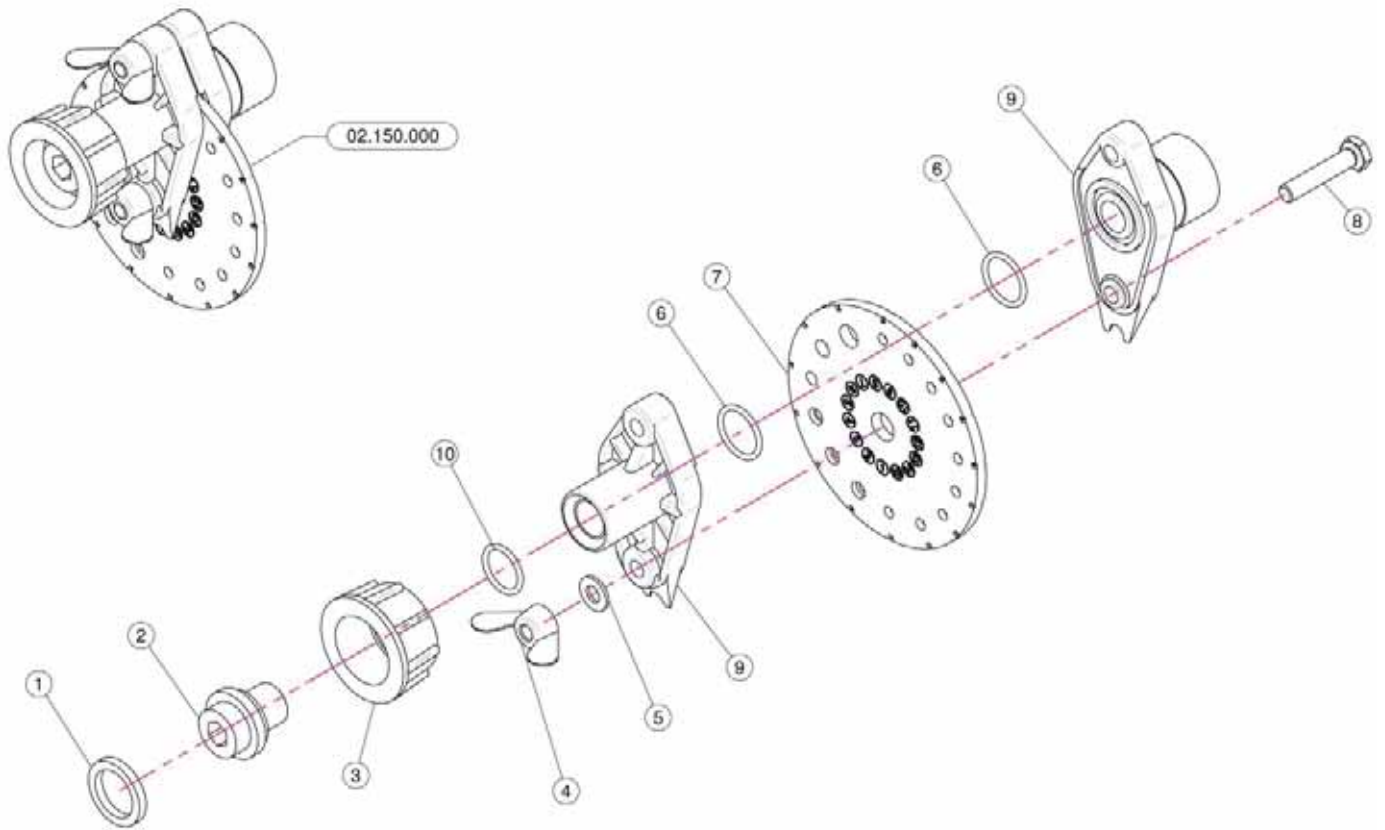
<u>REF.</u>	<u>QTY.</u>	<u>PART NO.</u>	<u>DESCRIPTION</u>
1	12	02.349.000	17 x 23 x 3 Flat Gasket
2	6	00.055.046	Curved Union With R.H. D.17
3	12	00.055.045	3/4" Fly Nut
4	6	FC.023.5.025	Hose Clamp 23.5 - 25
5	As Req'd	02.211.000	Hose D.16 x 23 L=70 (Per Foot)
6	6	02.002.000	Straight Union 3/4" R.H. 18
7	6	FC.022.5.024	Hose Clamp 22.5 - 24
8	6	OR.000.117	13.1 x 18.34 x 2.62 O-Ring Gasket
9	1	DA.010.0BG	Self Locking Nut M10
10	2	RP.010.000	Washer D.10
11	1	02.999.000	T Union Fixing Bracket
12	1	TE.010.035T	Screw TE 10 x 35
13	2	02.396.000	Union 3/4" - 3/4" F.
14	2	02.293.000	1" M - 3/4" M Reducer Nipple
15	2	02.380.000	Nipple 3/4"
16	6	OR.004.081	20.22 x 3.53 O-Ring Gasket
17	2	20.087.000	Valve
18	4	02.150.000	Rotation Disk Regulation
19	As Req'd	02.211.000	Hose D.16 x 23 L=370 (Per Foot)
20	As Req'd	02.211.000	Hose D.16 x 23 L=370 (Per Foot)
21	2	20.087.000M	Valve 3/4 - 3/4
22	As Req'd	02.211.000	Hose D.16 x 23 L=180 (Per Foot)
23	As Req'd	02.211.000	Hose D.16 x 23 L=180 (Per Foot)

Sec. 04 - *MANIFOLD & SHUT-OFF VALVES*



REF.	QTY.	PART NO.	DESCRIPTION
		02.008.304C	Complete Assembly
1	4	OR.000.117	13.1 x 18.34 x 2.62 O-Ring Gasket
2	4	20.202.100	Tap Assembly
3	4	00.227.01C	Anti-Drip Valve
4	1	02.008.000	Sprayheads Liquid Manifold
5	4	OR.002.043	10.82 x 14.38 x 1.78 Nbr 70 O-Ring Gasket

Sec. 05 - DIAL-A-RATE



<u>REF.</u>	<u>QTY.</u>	<u>PART NO.</u>	<u>DESCRIPTION</u>
1	1	02.349.000	17 x 23 x 3 Flat Gasket
2	1	02.117.000	Adaptor Nipple
3	1	2002030	3/4" Fly Nut
4	2	DF.OTT.006	Wing Nut M6
5	2	RP.006.000I	INOX Washer D.6
6	2	OR1560178	D.15.6 x 1.78 O-Ring
7	1	02.148.000	Regulator Disc
8	2	TE.006.030I	INOX M6 x 30 Bolt
9	1	02.147.000	Regulator Body
10	1	OR1242178	O-Ring D.12.37 x 2.62