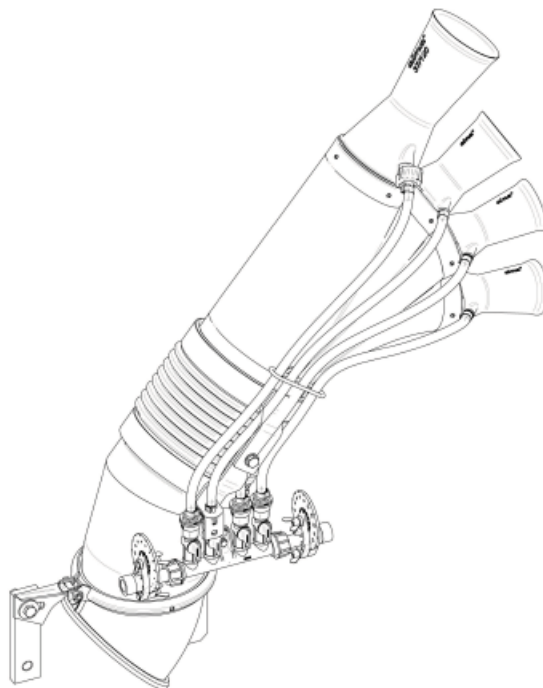




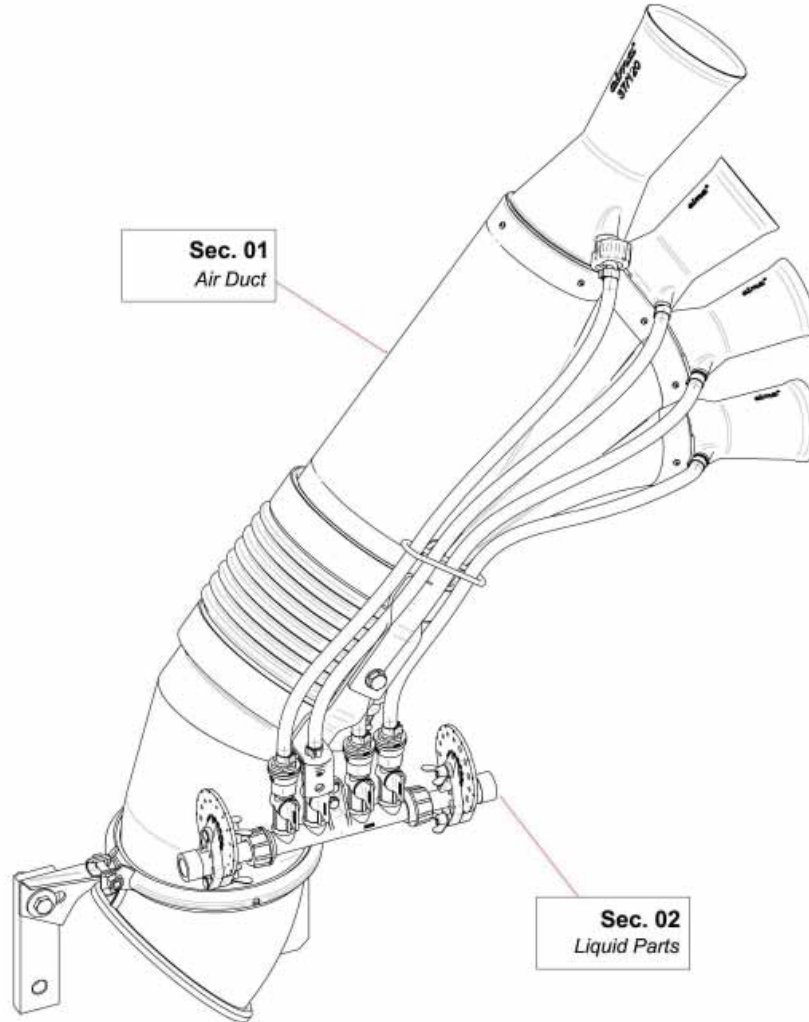
# VENTURI AIR SPRAYERS TREE CANNON HIGH POSITION



**Parts Manual For  
TOL0455012 Cannon  
For P50 & L50 Sprayers**

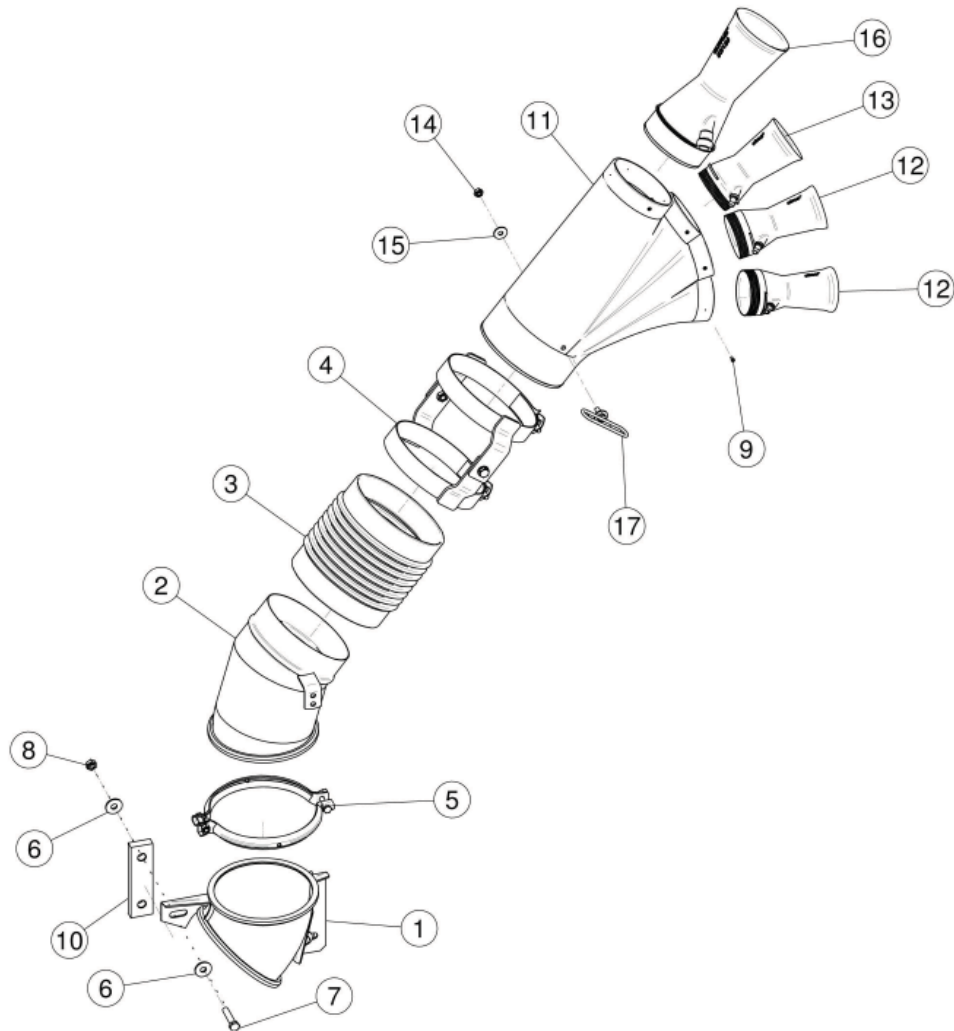
**July 2013**

# TABLE OF CONTENTS



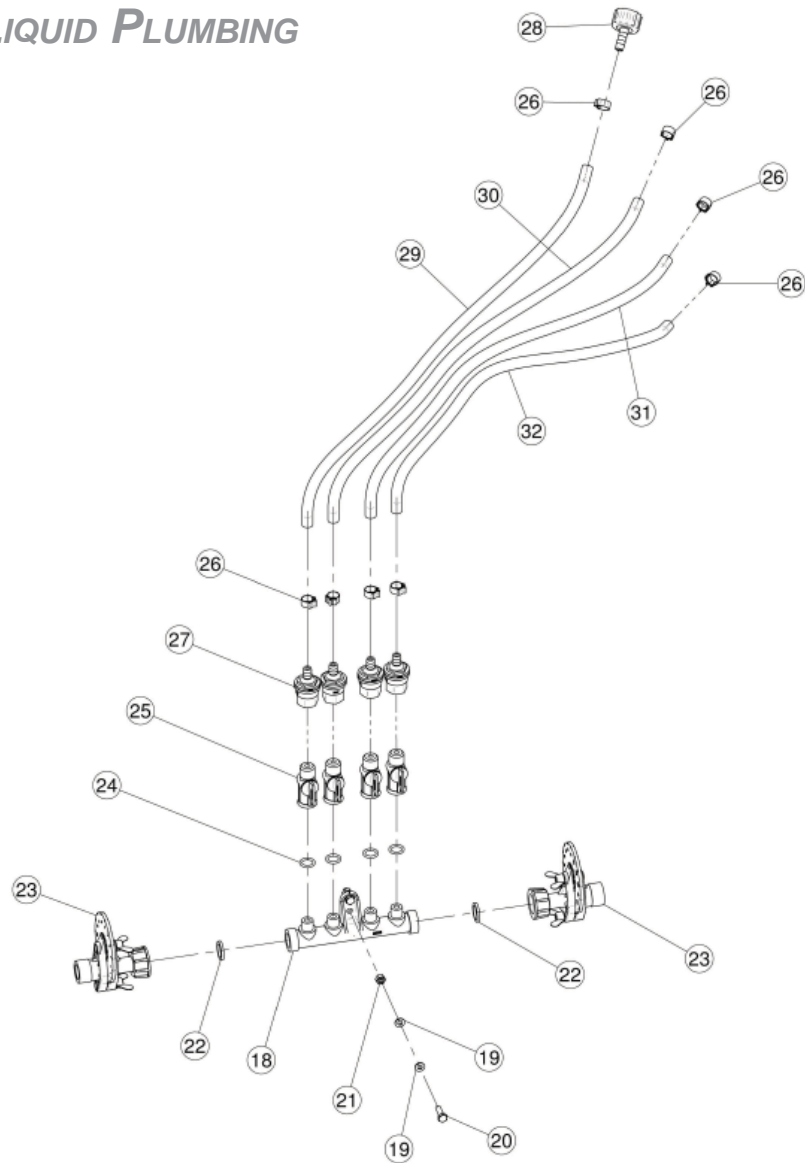
<u>SECTION</u>	<u>DESCRIPTION</u> .....	<u>PAGE</u>
1	<b>Air Duct/Nozzle Parts</b> .....	1
2	<b>Liquid Parts</b> .....	2
3	<b>Manifold &amp; Shut-Off Valves</b> .....	4
4	<b>Dial-A-Rate</b> .....	5

## Sec. 01 - AIR DUCT / NOZZLE PARTS



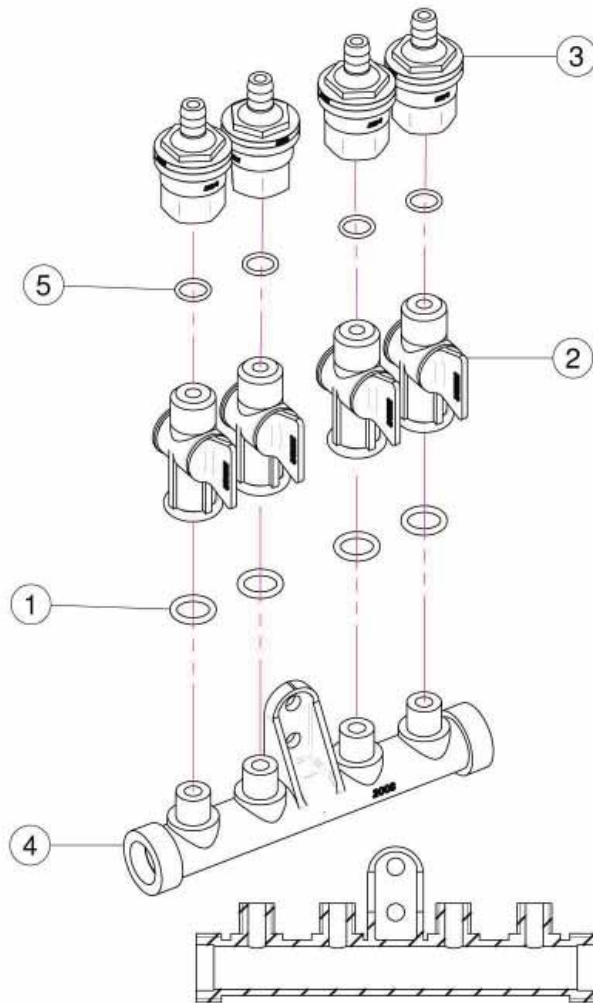
<u>REF.</u>	<u>QTY.</u>	<u>PART NO.</u>	<u>DESCRIPTION</u>
1	1	04.877.000	45° Bend
2	1	02.803.000	Olive Head Bottom Body D.175
3	1	02.146.010	Flexible Sleeve
4	1	02.804.000	Olive Head Clamp
5	1	05.616.000	Pipe Clamp Ø 175
6	4	RP.010.030	10 x 30 mm Large Flat Washer
7	2	TE.010.050T	Screw M10 - 50
8	2	DO.10.5587G	Nut M10
9	13	TA.03.5.09.5I	Self Threading D.3.5 x 9.5
10	1	02.992.000	Bracket
11	1	00.533.000	Olive Body
12	2	10.017.080	Nozzle 17/80
13	1	10.022.080	Nozzle 22/80
14	1	DO.08.5588G	Nut M8
15	1	RP.008.024	Washer D.8 x 24
16	1	10.037.120	Nozzle 37/120
17	1	21.036.000	Bracket

## Sec. 02 - LIQUID PLUMBING



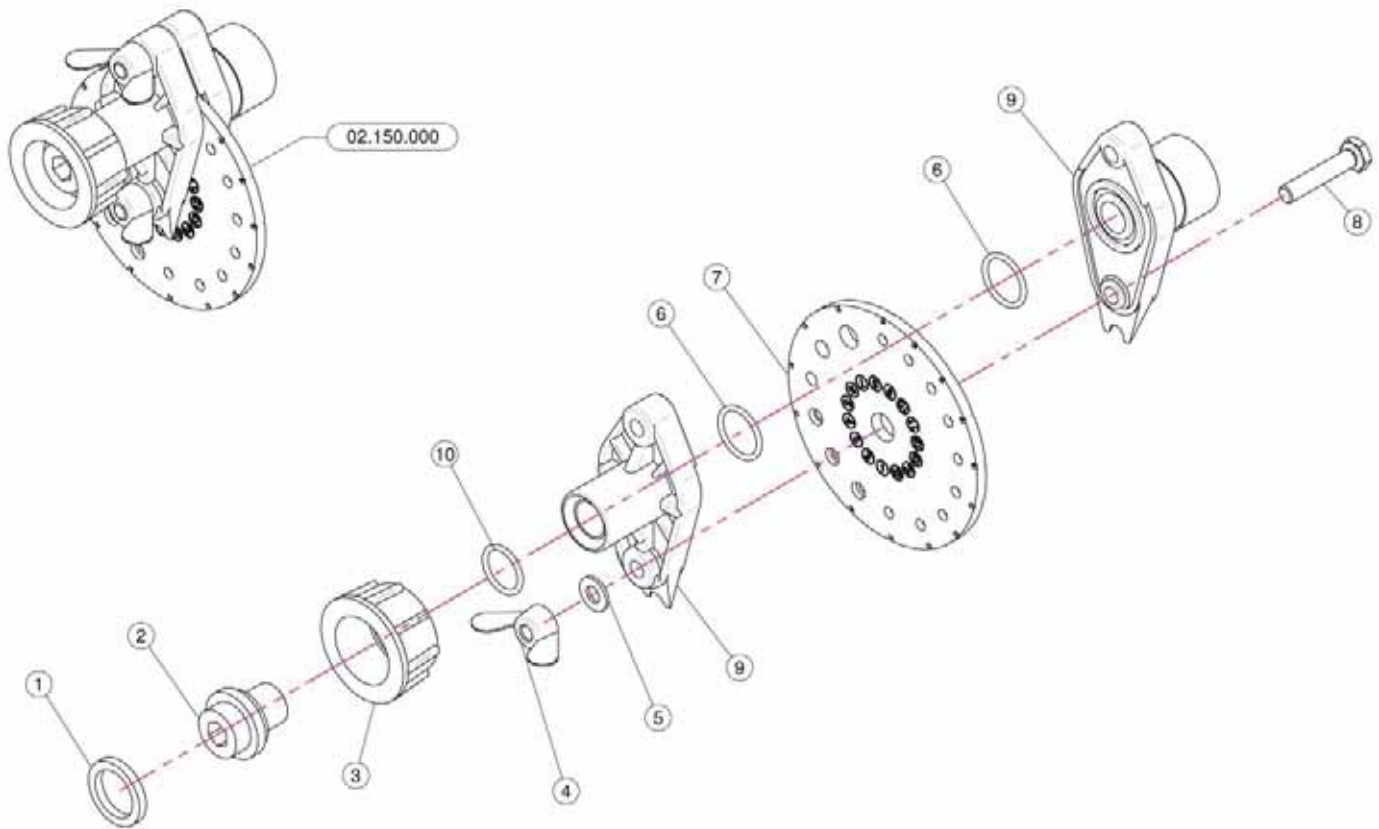
<u>REF.</u>	<u>QTY.</u>	<u>PART NO.</u>	<u>DESCRIPTION</u>
18	1	02.008.000	Sprayheads Liquid Manifold
19	4	RP.006.000	Washer D.6
20	2	TE.006.020T	Screw TE M6 x 20
21	2	DO.06.5588G	Nut M6
22	2	02.349.000	17 x 23 x 3 Flat Gasket
23	2	02.150.000	Rotation Disk Regulation
24	4	OR.000.117	13.1 x 18.34 x 2.62 O-Ring Gasket
25	4	20.202.100	Tap Assembly
26	8	FC.013.5.015	Hose Clamp
27	4	00.227.01C	Antidrip Valve
28	1	21.010.000	Complete R.H. D.10 Union
29	As Req'd	02.217.000	Hose D.8 x 13 L=520 (Per Foot)
30	As Req'd	02.217.000	Hose D.8 x 13 L=560 (Per Foot)
31	As Req'd	02.217.000	Hose D.8 x 13 L=490 (Per Foot)
32	As Req'd	02.217.000	Hose D.8 x 13 L=490 (Per Foot)

## Sec. 03 - MANIFOLD & SHUT-OFF VALVES



<u>REF.</u>	<u>QTY.</u>	<u>PART NO.</u>	<u>DESCRIPTION</u>
		<b>02.008.304C</b>	<b>Complete Assembly</b>
1	4	OR.000.117	13.1 x 18.34 x 2.62 O-Ring Gasket
2	4	20.202.100	Tap Assembly
3	4	00.227.01C	Anti-Drip Valve
4	1	02.008.000	Sprayheads Liquid Manifold
5	4	OR.002.043	10.82 x 14.38 x 1.78 Nbr 70 O-Ring Gasket

## Sec. 04 - DIAL-A-RATE



<u>REF.</u>	<u>QTY.</u>	<u>PART NO.</u>	<u>DESCRIPTION</u>
1	1	02.349.000	17 x 23 x 3 Flat Gasket
2	1	02.117.000	Adaptor Nipple
3	1	2002030	3/4" Fly Nut
4	2	DF.OTT.006	Wing Nut M6
5	2	RP.006.000I	INOX Washer D.6
6	2	OR1560178	D.15.6 x 1.78 O-Ring
7	1	02.148.000	Regulator Disc
8	2	TE.006.030I	INOX M6 x 30 Bolt
9	1	02.147.000	Regulator Body
10	1	OR1242178	O-Ring D.12.37 x 2.62